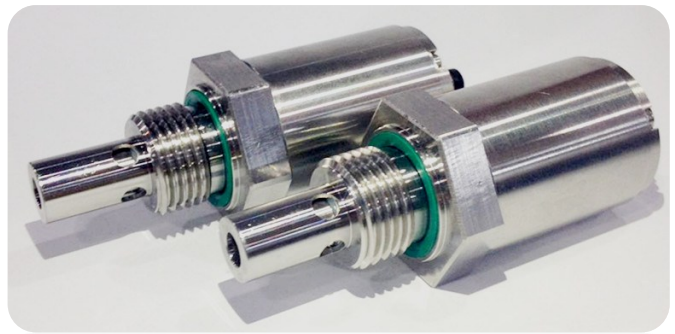


KT-330 Oil Dielectric Constant Sensor

The KT-330 is an intelligent sensor specially designed for on-line measurement of oil quality changes. Its unique measurement technology is extremely sensitive to oil quality variations, enabling real-time, continuous and on-line monitoring of oil quality indicators with 360° all-round real-time on-line detection for oil fluids. It provides reliable and strong protection for the continuous and stable operation of your valuable equipment.



Feature

- ◆ Extremely sensitive to various types of oil contamination
- ◆ High resolution up to 10^{-15} for accurate detection under various harsh conditions
- ◆ Special grounding technology for extreme reliability and robustness
- ◆ Certified to global commercial and technical standards
- ◆ 24/7/365 real-time monitoring of equipment oil quality
- ◆ Enables proactive equipment maintenance, avoiding unnecessary financial and time waste
- ◆ Significantly reduces oil change costs and waste oil disposal expenses
- ◆ Lowers carbon emissions, contributing to environmental protection while reducing oil waste

Applications

- ◆ Oil fields & oil refining
- ◆ Wind power
- ◆ Hydropower
- ◆ Power transmission & transformation
- ◆ Engineering machinery & vehicles
- ◆ Aviation & maritime navigation
- ◆ Railway & highway transportation
- ◆ Iron and steel & metallurgy
- ◆ Oil storage warehouses & gas stations
- ◆ Industrial production lines
- ◆ Air conditioning and refrigeration
- ◆ Laboratory analysis

Applicable Oils:

- ◆ Lubricating oil
- ◆ Hydraulic oil
- ◆ Gear box oil
- ◆ Engine oil
- ◆ Fuel oil
- ◆ Insulating oil
- ◆ Turbine oil
- ◆ Synthetic grease
- ◆ Various light oils, heavy oils, etc.

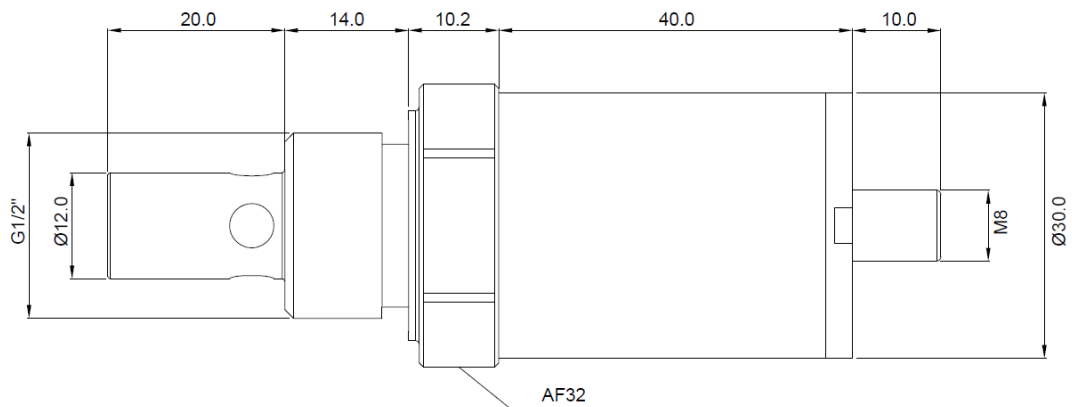


Specifications

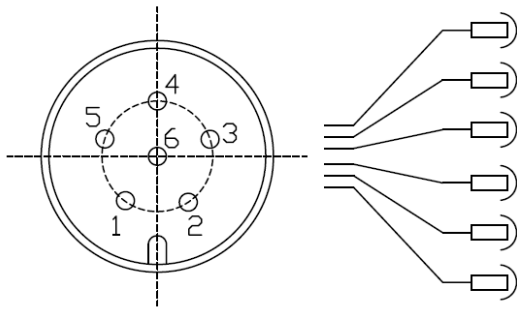
Measurement Range	Details
Oil dielectric constant ϵ	1-6
Accuracy	2%
Temperature	-40°C to 120°C
Accuracy	0.3°C

Measurement Range	Details
Other Specifications	
Applicable Oils	Suitable for most mineral oils, synthetic and semi-synthetic oils
Output	4-20mA analog output + RS485 digital output
Operating Power Supply	DC12V-28V
Operating Current	<20mA + load current
Allowable Operating Pressure	<20bar
Operating Temperature	-40°C to 85°C
Oil Temperature	-40°C to 120°C
Mechanical Interface	G1/2" BSP
Electrical Interface	M8*1, 6-pin
Connection Cable	6-pin, 2m, UL20866 6*22AWG
EMC Standards	EN 61000-6-4:2007, EN 61000-6-2:2005
Housing Material	316 stainless steel
Protection Class	IP66
Weight	250g

Size



Wiring (M8 Male Connector)



- 1 — Red: +24VDC
- 2 — White: RS485-A
- 3 — Black: 24V GND
- 4 — Green: RS485-B
- 5 — Yellow: 4-20mA (Temperature)
- 6 — Orange: 4-20mA (Dielectric Constant)

Kongter Test & Measurement Co., Limited

B417, Bldg 2, Baisha Industrial Park, Shahexi Rd, Shenzhen, China

TEL: +86-755-2691 6832 Web: www.kongter.com Email: sales@kongter.com